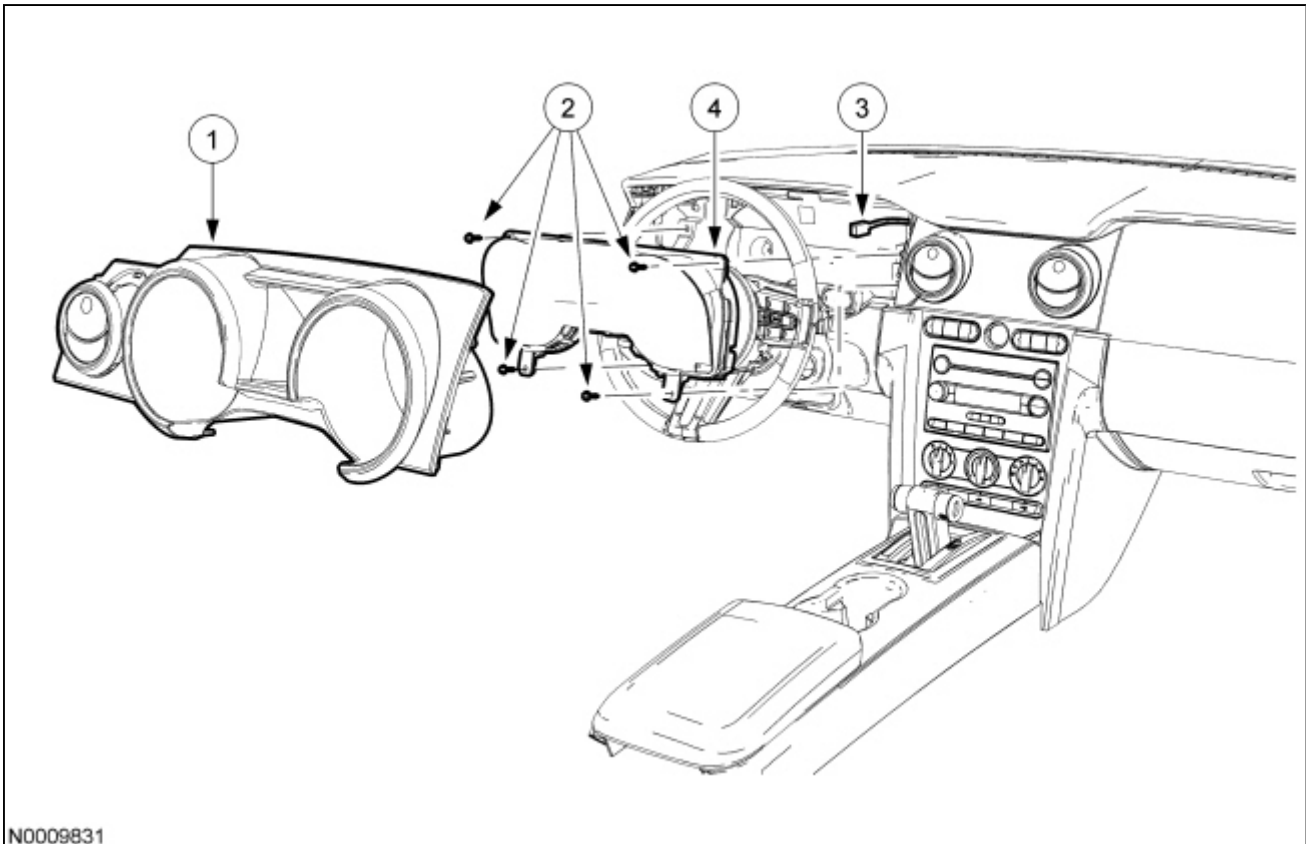


## Instrument Cluster (IC)



N0009831

Item	Part Number	Description
1	63044D70	Instrument Cluster (IC) finish panel
2	W705314	<a href="#">IC</a> screws (4 required)
3	—	<a href="#">IC</a> electrical connector (part of 14401)
4	10849	<a href="#">IC</a>

### Removal and Installation

1. **NOTE:** If installing a new Instrument Cluster (IC), it is necessary to upload the [IC](#) configuration information to the scan tool. For additional information, refer to [Section 418-01](#).

Depower the Supplemental Restraint System (SRS). For additional information, refer to [Section 501-20B](#).

2. **NOTE:** The [IC](#) finish panel is held in place with retaining clips that are attached to the bezel.

Remove the [IC](#) finish panel.

3. Remove the 4 screws and the [IC](#).
  - Disconnect the electrical connector.
4. To install, reverse the removal procedure.
  - If a new [IC](#) was installed, download the [IC](#) configuration information from the scan tool into the new [IC](#). For additional information, refer to [Section 418-01](#).

